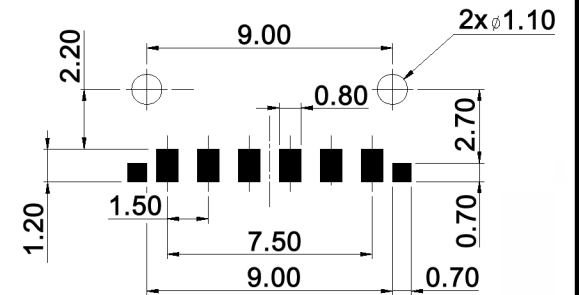


P.C.B. LAYOUT

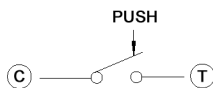


CIRCUIT DIAGRAM

| ANGLE | A | | | B | | |
|--------------|-----|-------|------|------|-------|-----|
| TERMINAL NO. | 20° | (16°) | (8°) | (8°) | (16°) | 20° |
| ① | █ | | | | | |
| ② | █ | | | | | |
| ③ | | | | | | █ |
| ④ | | | | █ | █ | █ |
| C | █ | | | | | |

* E: GROUND TERMINAL
 * █: ON POSITION

PUSH CIRCUIT



| | | | | | |
|---------------------|-------|------|-----------------------|------|-------------------|
| Tolerances: ±0.20mm | | | Date | Name | <h1>PLSJ 1 x</h1> |
| | | | 03/09 | dr | |
| | | | | | |
| | | | knitter-switch | | <h1>30 02 34</h1> |
| Colours | 03/09 | dr | Page 1/3 | | |
| Modifications | Date | Name | | | |

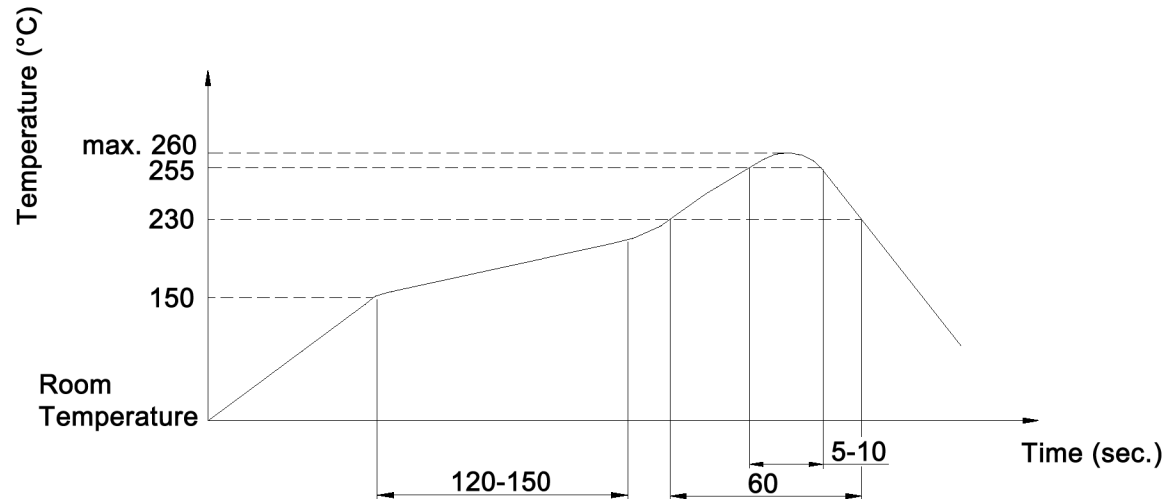
Specifications:

Contact rating: switching: 10mA, 5V DC
 non-switching: 100mA, 50V DC
Contact resistance: 100mOhm max.
Insulation resistance: 100MOhm min. at 100V DC
Dielectric strength: 100V AC for 1 minute
Operating temperature: -10°C to +70°C
Storage temperature: -25°C to +80°C
Mechanical / electrical life: 100 000 cycles
Operating force: 40 +/-20gf on return actuator
 150 +/-50gf on center push direction
Capacitance: 5pF max.
Circuit: single pole single throw

Material:

Cover: stainless steel
Base: UL94V-0 PPS thermoplastic, color: brown
Stem: UL94HB nylon thermoplastic, color: grey, (black optional)
Contact disc: phosphor bronze with silver cladding at contact surface
Terminal: phosphor bronze with silver cladding at contact surface
Spring: spring wire

Soldering conditions:

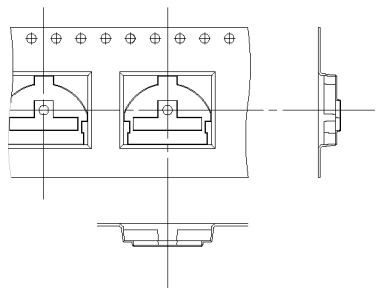
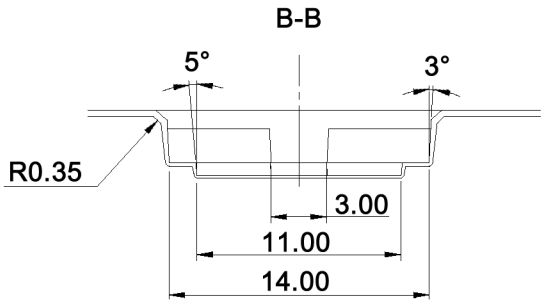
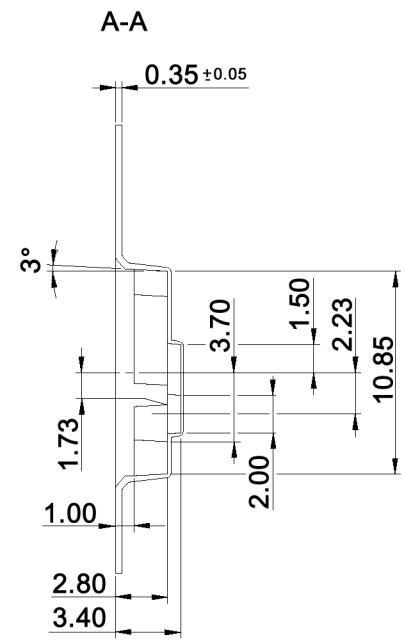
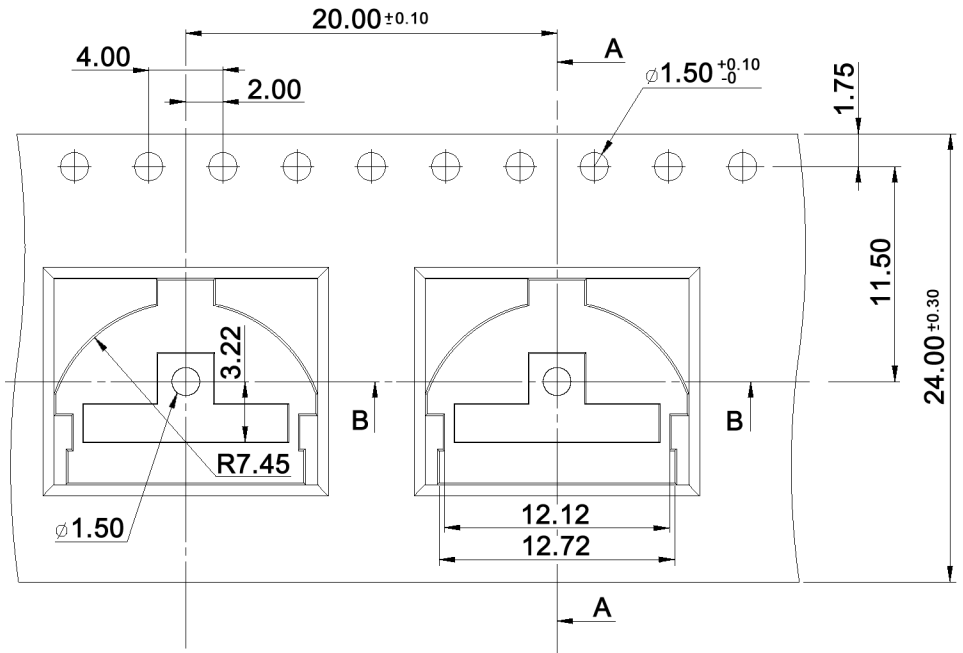


| | |
|---------|-------|
| x | Color |
| (empty) | grey |
| K | black |



| | | | | |
|---------------------|------|-------|-----------------------|-----------------|
| Tolerances: ±0.20mm | | Date | Name | PLSJ 1 x |
| | | 03/09 | dr | |
| | | | | |
| | | | | 30 02 34 |
| | | | knitter-switch | |
| Modifications | Date | Name | | Page 2/3 |

Packaging:



Packaging unit: 1 000 pcs. / reel



| | | | | |
|---------------------|------|------|-------|------|
| Tolerances: ±0.10mm | | | Date | Name |
| | | | 03/09 | dr |
| | | | | |
| | | | | |
| | | | | |
| | | | | |
| Modifications | Date | Name | | |

PLSJ 1 x

knitter-switch

30 02 34